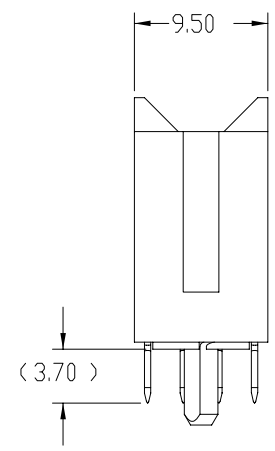
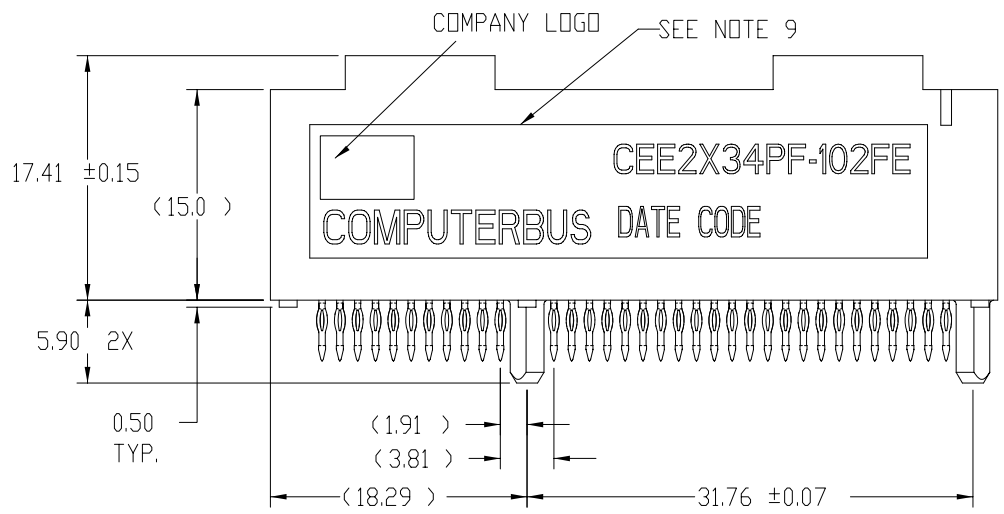
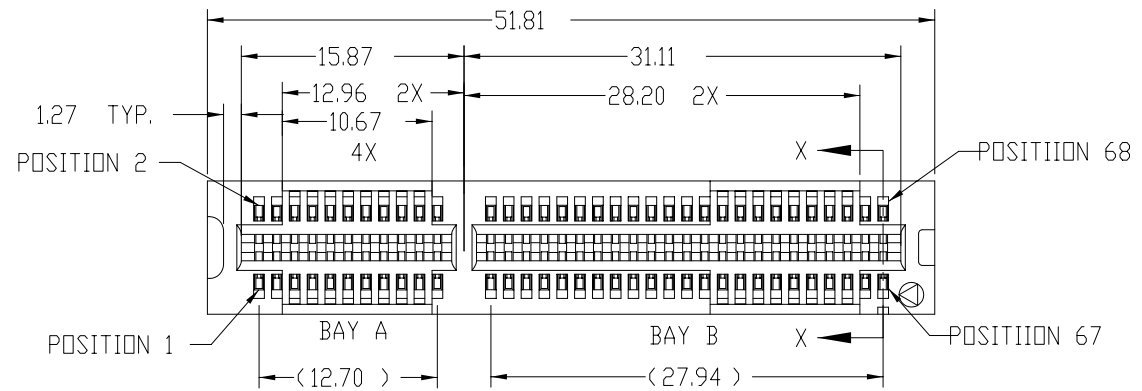




FCIconnect.com

Copyright FCI

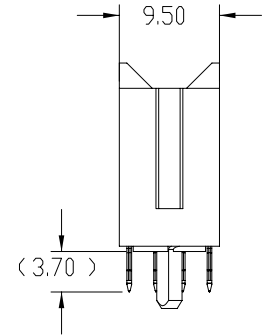
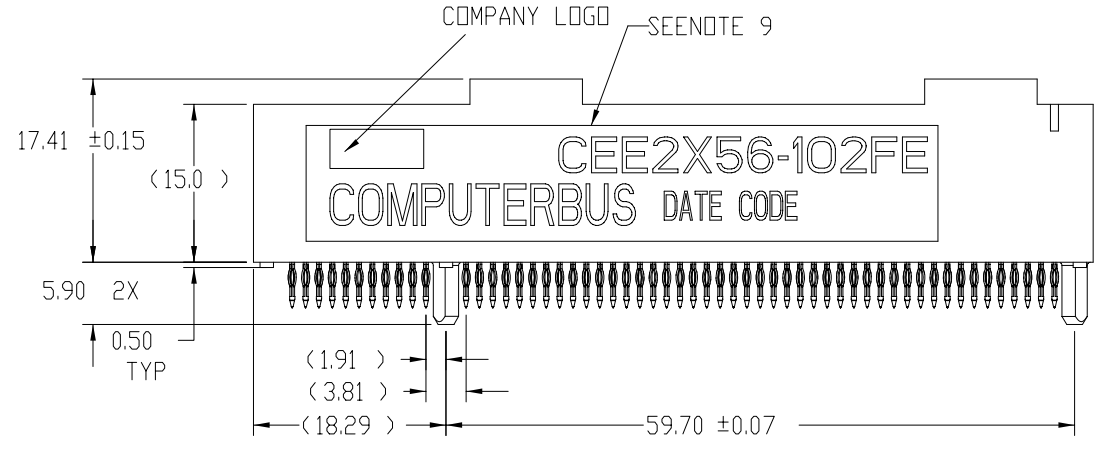
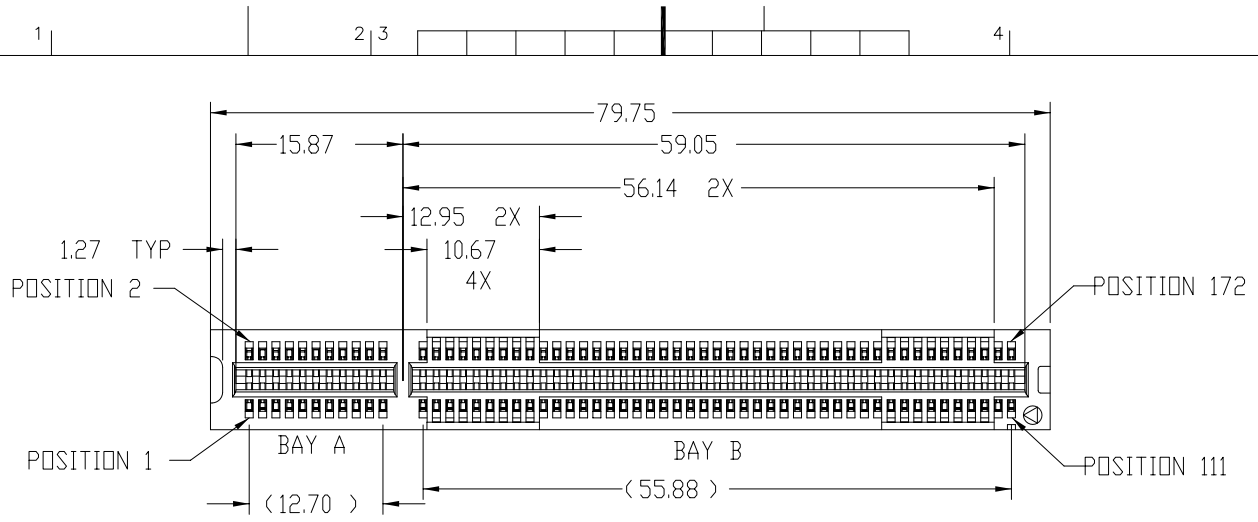
PRODUCT NUMBER  
SEE TABLE



mat'l. code				surface ISO 1302 ✓				tolerance ISO 406 ISO 1101				projection MM		product family CARDEDGE			
tolerances unless otherwise specified				angles				linear				scale 2:1		title CEE 2X__PF CONNECTOR ASSEMBLY			
Itr	ecn no	dr	date											sheet 1 of 10 size			
E	V00805	CW	3/28/00											A3			
F	V11759	MEP	7/3/01											SE94583			
G	V12247	GIP	9/13/01	0°±1'										type Product Customer Drawing			
H	V04-1156	TAB	12/13/04	dr	G. PETERS	9/13/01											
J	M05-0075	ERE	04/05/05	enr	D. CASEY	9/14/01											
K	M06-0037	MHT	3/30/06	chr	G. PETERS	9/13/01											
L	M06-0234	AGS	06/16/06	appd	D. CASEY	9/13/01											
sheet	revision	L	L	L	L	L	L	L	L	L	L	L	L	L	L	L	L
index	sheet	1	2	3	4	5	6	7	8	9	10						

form: A3

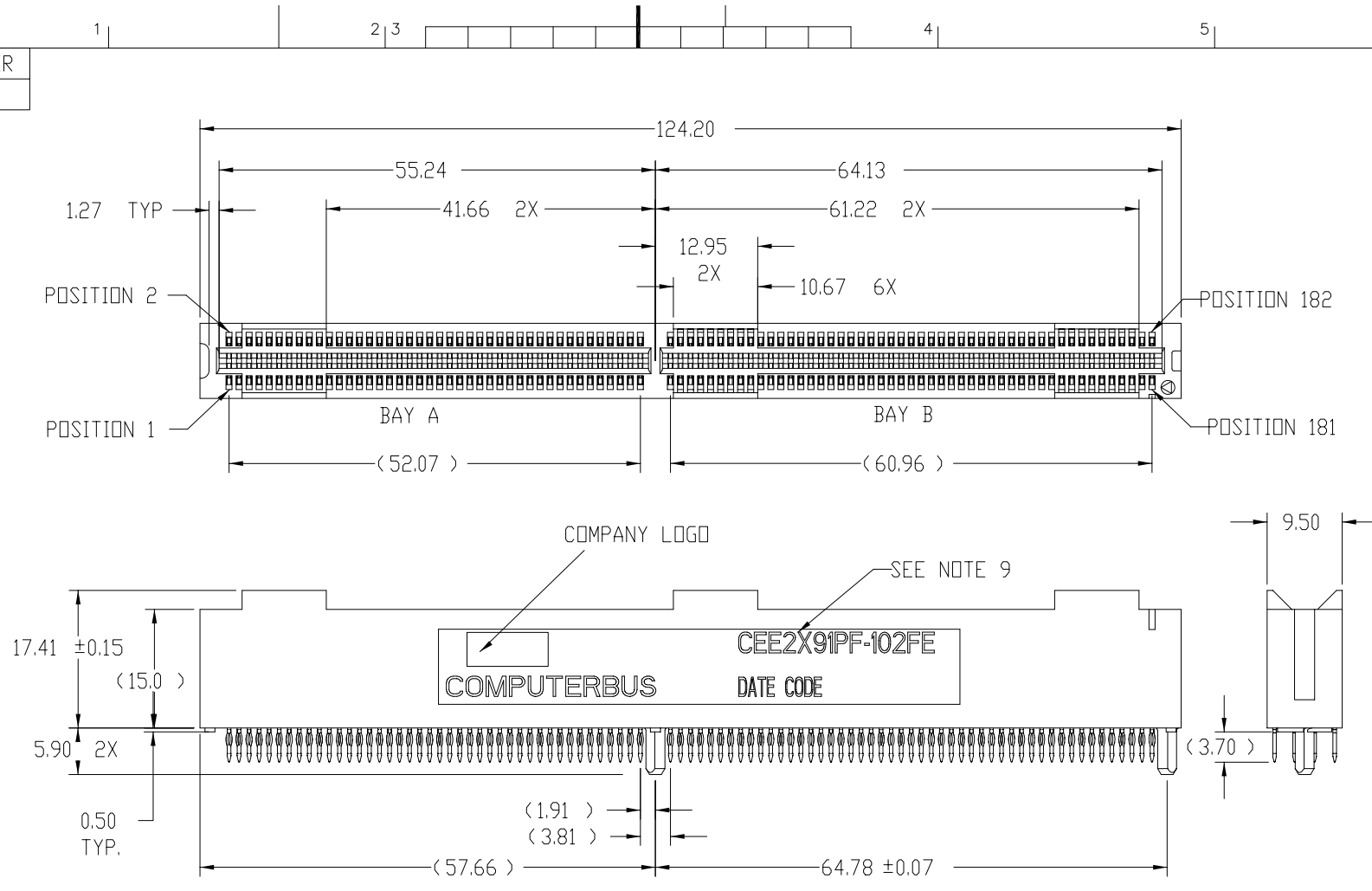
PRODUCT NUMBER  
SEE TABLE



Copyright FCI

mat'l. code		surface ISO 1302 ✓		tolerance ISO 406 ISO 1101		projection ⊕		product family CARDEDGE	
ltr		ecn no dr		date		tolerances unless otherwise specified		title	
L						.X±.2 .XX±.10 .XXX±.050		CEE 2X__PF CONNECTOR ASSEMBLY	
						0°±1°		scale 3:2	
				dr G. PETERS 9/13/01				dwg no sheet 2 of 10 size	
				enr D. CASEY 9/14/01				SE94583 A3	
				chr G. PETERS 9/13/01				type Product Customer Drawing	
				appd D. CASEY 9/13/01					
sheet index		revision sheet							

PRODUCT NUMBER  
SEE TABLE

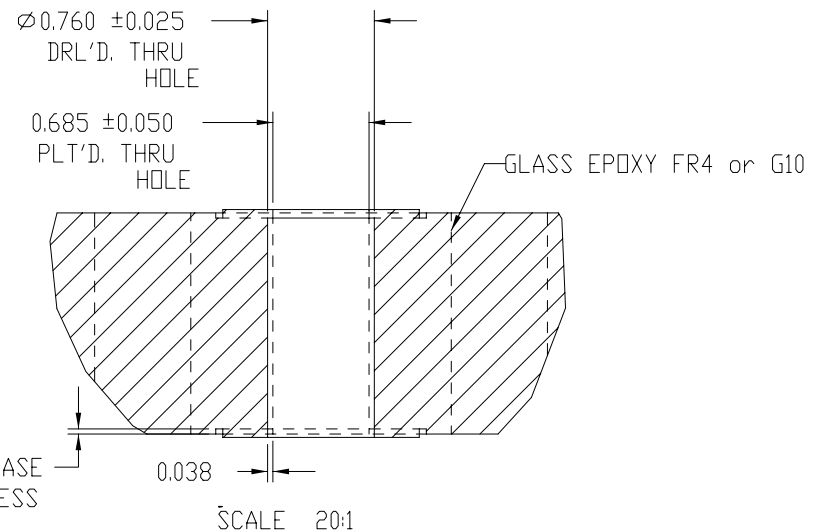
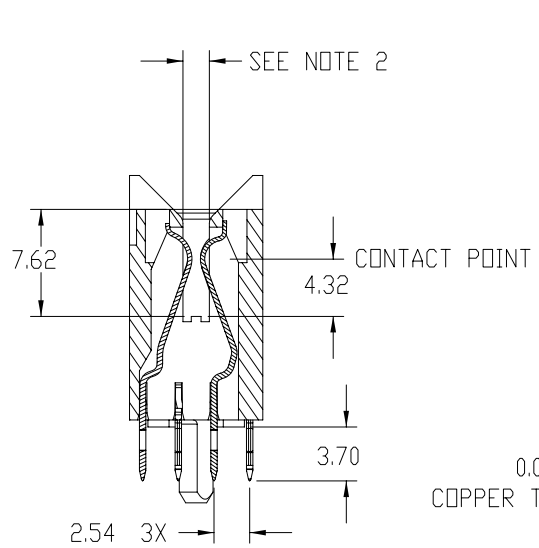


Copyright FCI

mat'l. code		surface ISO 1302 ✓		tolerance ISO 406 ISO 1101		projection MM		product family CARDEDGE	
ltr		ecn no dr		date		tolerances unless otherwise specified		title	
L						.X±.2 .XX±.10 .XXX±.050		CEE 2X__PF CONNECTOR ASSEMBLY	
						0°±1'		scale 2:1	
				dr G. PETERS 9/13/01				dwg no sheet 3 of 10 size	
				enr D. CASEY 9/14/01				SE94583 A3	
				chr G. PETERS 9/13/01				type Product Customer Drawing	
				appd D. CASEY 9/13/01					
sheet index		revision sheet							

form: A3

FCI CATALOG NO. F/CONNECTORS w/CARD COLLECTORS	CONNECTOR SIZE	NO. CONTACTS LOADED	TERM.	LOAD PATTERN	CONTACT PAIRS BAY A	CONTACT PAIRS BAY B	CONTACT PAIRS BAY C
CEE2X34PF-102FE	2x34	68	P.F.	FULLY LOADED	11	23	n/a
CEE2X56PF-102FE	2x56	112	P.F.	FULLY LOADED	11	45	n/a
CEE2X91PF-102FE	2x91	182	P.F.	FULLY LOADED	42	49	n/a
CEE2X34PF-102FELF	2x34	68	P.F.	FULLY LOADED	11	23	n/a
CEE2X56PF-102FELF	2x56	112	P.F.	FULLY LOADED	11	45	n/a
CEE2X91PF-102FELF	2x91	182	P.F.	FULLY LOADED	42	49	n/a

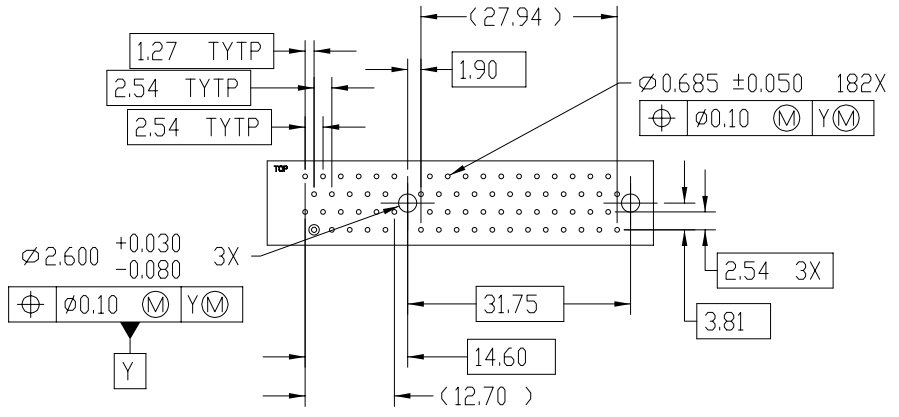


RECOMMENDED PLATED THRU HOLE DIMENSIONS  
FOR COMPLIANT PRESS PINS

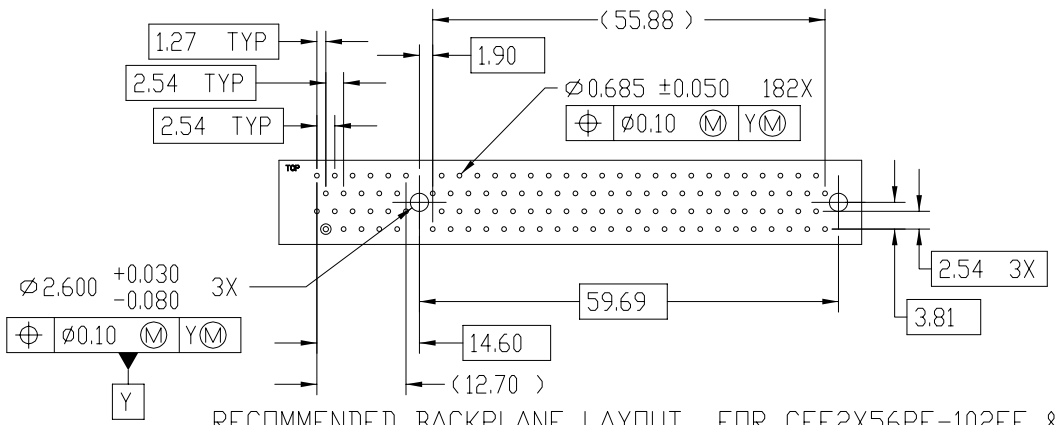
mat'l. code		surface ISO 1302 ✓		tolerance ISO 406 ISO 1101		projection ⊕		product family CARDEDGE	
ltr		ecn no dr		date		tolerances unless otherwise specified		title	
L						.X±.2 .XX±.10 .XXX±.050		CEE 2X__PF CONNECTOR ASSEMBLY	
						0°±1'		MM scale 2:1	
		dr		G. PETERS		9/13/01		dwg no	
		enr		D. CASEY		9/14/01		sheet 4 of 10 size	
		chr		G. PETERS		9/13/01		SE94583 A3	
		appd		D. CASEY		9/13/01		type Product Customer Drawing	
sheet index		revision sheet							

Copyright FCI  
FCIconnect.com

PRODUCT NUMBER  
SEE TABLE



RECOMMENDED BACKPLANE LAYOUT  
FOR CEE2X34PF-102FE & CEE2X34PF-102FELF



RECOMMENDED BACKPLANE LAYOUT FOR CEE2X56PF-102FE & CEE2X56PF-102FELF



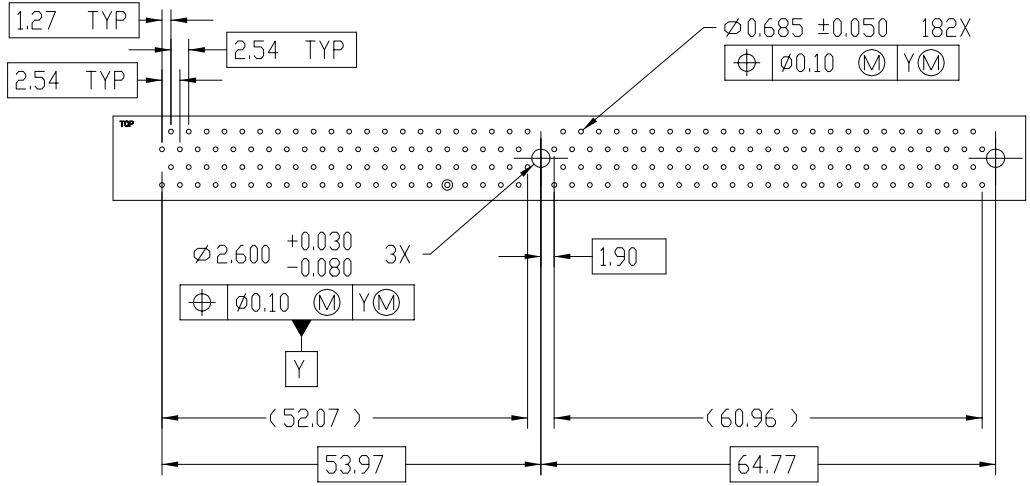
FCIconnect.com

Copyright FCI

mat'l. code		surface ISO 1302 ✓		tolerance ISO 406 ISO 1101		projection ⊕		product family CARDEDGE	
ltr		ecn no dr		date		tolerances unless otherwise specified		title	
L						.X±.2 .XX±.10 .XXX±.050		CEE 2X__PF CONNECTOR ASSEMBLY	
						linear		MM	
						0'±1"		scale 1:1	
				dr G. PETERS 9/13/01				dwg no sheet 5 of 10 size	
				enr D. CASEY 9/14/01				SE94583 A3	
				chr G. PETERS 9/13/01				type Product Customer Drawing	
				appd D. CASEY 9/13/01					
sheet index		revision sheet							



PRODUCT NUMBER  
SEE TABLE



RECOMMENDED BACKPLANE LAYOUT f/CEE2X91PF-102FE & CEE2X91PF-102FELF

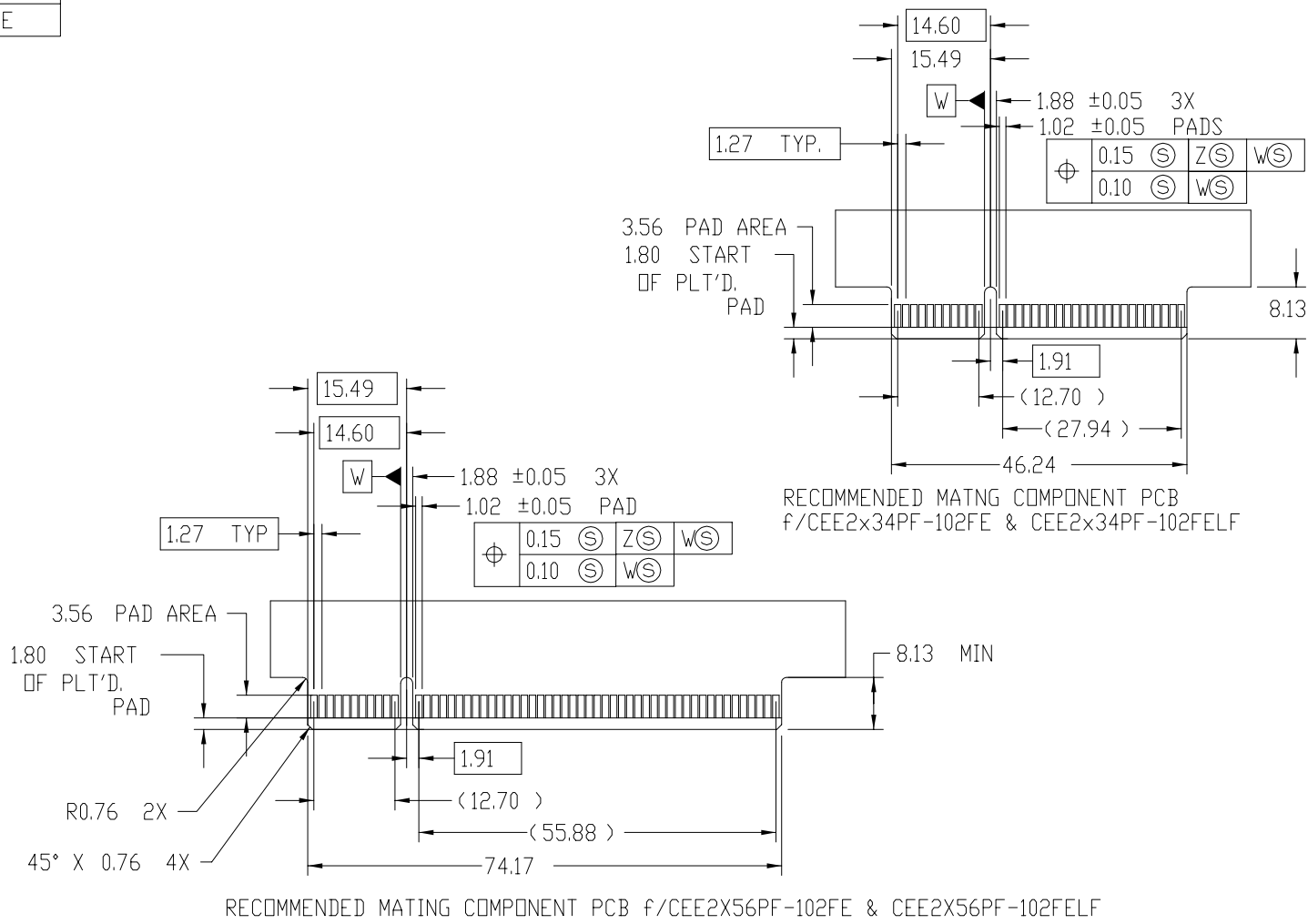


Copyright FCI

mat'l. code		surface ISO 1302 <input checked="" type="checkbox"/>		tolerance ISO 406 ISO 1101		projection 		product family CARDEDGE	
ltr		ecn no		date		tolerances unless otherwise specified		title	
L						.X±.2 .XX±.10 .XXX±.050		CEE 2X__PF CONNECTOR ASSEMBLY	
						scale 1:1		dwg no sheet 6 of 10 size	
				dr G. PETERS 9/13/01				SE94583 A3	
				enr D. CASEY 9/14/01				type Product Customer Drawing	
				chr G. PETERS 9/13/01					
				appd D. CASEY 9/13/01					
sheet index		revision sheet							

form: A3

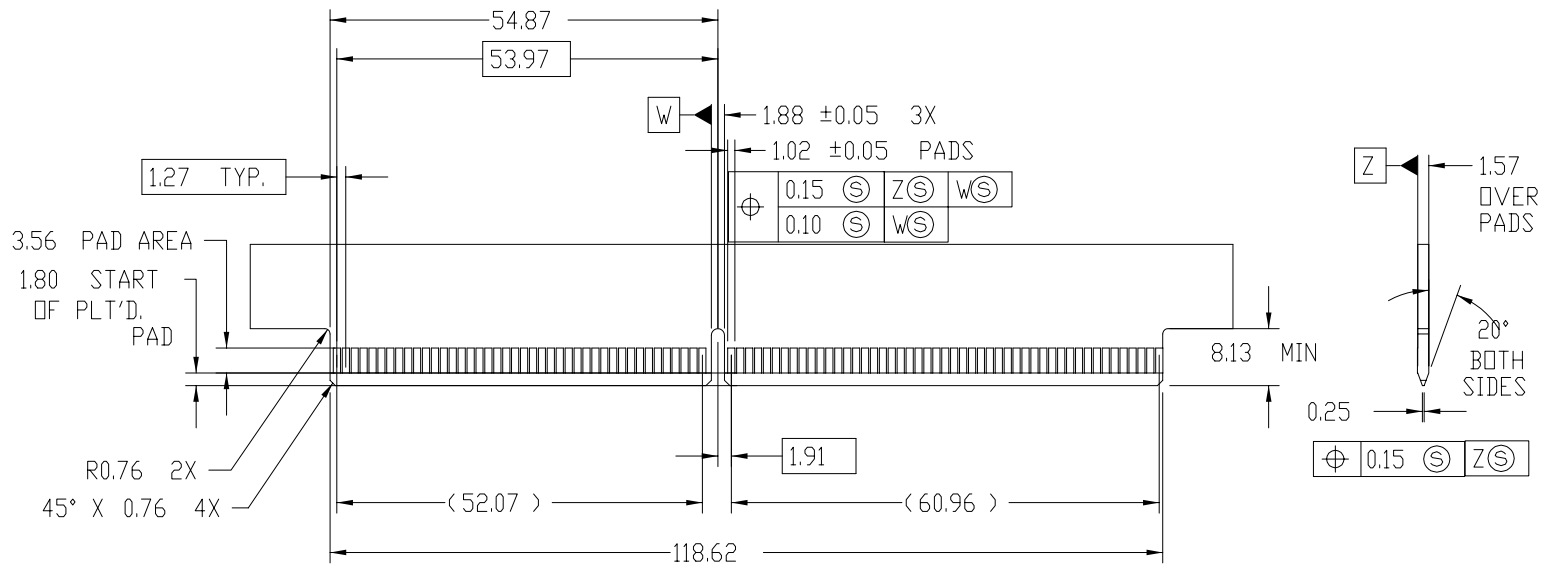
PRODUCT NUMBER  
SEE TABLE



Copyright FCI

mat'l. code		surface ISO 1302 ✓		tolerance ISO 406 ISO 1101		projection MM		product family CARDEDGE	
ltr		ecn no dr		date		tolerances unless otherwise specified		title	
L						.X±.2 .XX±.10 .XXX±.050		CEE 2X__PF CONNECTOR ASSEMBLY	
						0°±1'		scale 2:1	
				dr G. PETERS 9/13/01				dwg no sheet 7 of 10 size	
				enr D. CASEY 9/14/01				SE94583 A3	
				chr G. PETERS 9/13/01				type Product Customer Drawing	
				appd D. CASEY 9/13/01					
sheet index		revision sheet							

PRODUCT NUMBER  
SEE TABLE



RECOMMENDED MATING COMPONENT PCBF/CEE2X91PF-102FE & CEE2X91PF-102FELF



Copyright FCI

mat'l. code		surface ISO 1302 ✓		tolerance ISO 406 ISO 1101		projection MM		product family CARDEDGE	
ltr		ecn no		date		tolerances unless otherwise specified		title	
L						.X±.2 .XX±.10 .XXX±.050		CEE 2X__PF CONNECTOR ASSEMBLY	
						scale 1:1		dwg no sheet 8 of 10 size	
				dr G. PETERS 9/13/01		FCI		SE94583 A3	
				enr D. CASEY 9/14/01				type Product Customer Drawing	
				chr G. PETERS 9/13/01					
				appd D. CASEY 9/13/01					
sheet index		revision sheet							

form: A3



PRODUCT NUMBER

SEE TABLE

NOTES:

1. INTERPRET THIS DRAWING IN ACCORDANCE WITH ANSI Y14.5M -1982.
2. CONNECTORS WITH CARD COLLECTING SCOOPS ARE DESIGNED TO ACCOMMODATE 1.57+/-180 PC BOARDS WITH WARPAGE UP TO +/-2.03.
3. RECOMMENDED COMPONENT BOARD MATERIAL:  
P.C. BOARD:FR-4 WITH 28.35 GRAMS MIN. COPPER, PADS PLATED WITH .76 MICRONS MIN GOLD, PER MIL-G-45204, TYPE 1, CLASS 1, GRADE C OVER 2.54 MICRONS MIN NI. UNDERPLATE PER QQ-N-290.
4. RECOMMENDED BACK PLANE THICKNESS IS 2.39 FOR 3.71 COMPLIANT TAIL.
5. CONTACT MATING SURFACES ARE LUBRICATED WITH OS-138.
6. MATERIAL:

BODY: POLYPHTHALAMIDE (PPA) UL RATED 94V-0  
COLOR, BLACK

CONTACTS: PHOS BRONZE, PER FCI SPEC. M738

CONTACT FINISH: FE 0.75 MICRONS MIN GOLD IN CONTACT  
AREA 1-3 MICRONS MIN 60/40 TIN LEAD ON SOLDER TAILS  
2 MICRONS MIN NI UNDERPLATE ALL OVER.

LEAD FREE OPTION:

CONTACT FINISH: FE 0.75 MICRONS MIN GOLD IN CONTACT  
AREA 1-3 MICRONS MIN PURE TIN ON SOLDER TAILS  
2 MICRONS MIN NI UNDERPLATE ALL OVER.

7. PERFORMANCE CHARACTERISTICS: SEE SHEET 7.
8. APPLICATION SPECIFICATION PER BUS-09-026.
9. ITEM NAME, LOGO, PART NUMBER, DATE CODE, AND UL SYMBOLS TO APPEAR IN THIS AREA. }

10. LF SUFFIX AT THE END OF PART NUMBER IS LEAD FREE.

11. THIS PRODUCT MEETS EUROPEAN UNION DIRECTIVES AND OTHER COUNTRY REGULATION AS DESCRIBED IN GS-22-008.



Copyright FCI

mat'l. code		surface ISO 1302 <input checked="" type="checkbox"/>		tolerance ISO 406 ISO 1101		projection 		product family CARDEDGE	
ltr		ecn no		dr		date		title	
L								CEE 2X__PF CONNECTOR ASSEMBLY	
		angles		linear		.X±.2 .XX±.10 .XXX±.050		MM scale 1:1	
		0'±1'						dwg no sheet 9 of 10 size	
		dr		G. PETERS		9/13/01		FCI	
		enr		D. CASEY		9/14/01		SE94583 A3	
		chr		G. PETERS		9/13/01		type Product Customer Drawing	
		appd		D. CASEY		9/13/01			
sheet index		revision sheet							

PRODUCT NUMBER  
SEE TABLE

PERFORMANCE CHARACTERISTICS:

ENVIRONMENTAL:

OPERATING TEMPERATURE: -40C TO 105C  
THERMAL SHOCK: MIL-STD-1344, METHOD 1003.1(-55C TO +85C, 5 CYCLES)

FLAMABILITY RATING: UL94V-0

MECHANICAL:

DURABILITY: 100 MATING CYCLES WITHOUT PHYSICAL DAMAGE, OR EXCEEDING LOW LEVEL CONTACT RESISTANCE REQUIREMENTS WHEN MATED WITH RECOMMENDED CARD.

CONTACT RETENTION: MIL-STD-1344, METHOD 2007.1, 4.4 N MIN.

MATING FORCE: MIL-STD-1344, METHOD 2013.1 2.0 N MAX. AVERAGE PER OPPOSING PAIR USING GAUGE PER MIL-STD-C-21097 WITH CARD PROFILE

CONTACT NORMAL FORCE: 0.72 N MINIMUM

PRESS FIT TERMINATION FORCES: INSERTION FORCE 70 N MAX. PER PIN  
RETENTION FORCE 9 N MIN. PER PIN

ELECTRICAL:

CONTACT RESISTANCE: MIL-STD-1344, METHOD 3002-1, WITH 10 MILLIOHM MAX. INITIAL, 20 (LOW SIGNAL LEVEL) MILLIOHM RISE. COMPONENT BOARD SIDE - 1 MILLIOHM MAX., CONNECTION PRESS FIT PIN WITH w/PLATED THROUGH HOLE.

INSULATION RESISTANCE: MIL-STD-202, METHOD 302, CONDITION B, 1000 MEGOHMS MIN.

DIELECTRIC WITHSTAND VOLTAGE: MIL-STD-1344, METHOD D3001.1 CONDITION 1, 500 VAC RM

CAPACITANCE: 2 PICO FARADS, MAX AT 1 MEGAHERTZ

CURRENT RATING: 1 AMP, 30C RISE ABOVE AMBIENT

VOLTAGE RATING: 150 VAC (RMS)



Copyright FCI

mat'l. code		surface ISO 1302 <input checked="" type="checkbox"/>		tolerance ISO 406 ISO 1101		projection 		product family CARDEDGE	
ltr	ecn no	dr	date	tolerances unless otherwise specified				title	
L				angles	linear	.X±.2 .XX±.10 .XXX±.050		CEE 2X__PF CONNECTOR ASSEMBLY	
				0°±1'		scale 1:1		dwg no SE94583 sheet 10 of 10 size A3	
				dr	G. PETERS	9/13/01			
				enfr	D. CASEY	9/14/01			
				chr	G. PETERS	9/13/01			
				appd	D. CASEY	9/13/01		type Product Customer Drawing	
sheet index	revision sheet								